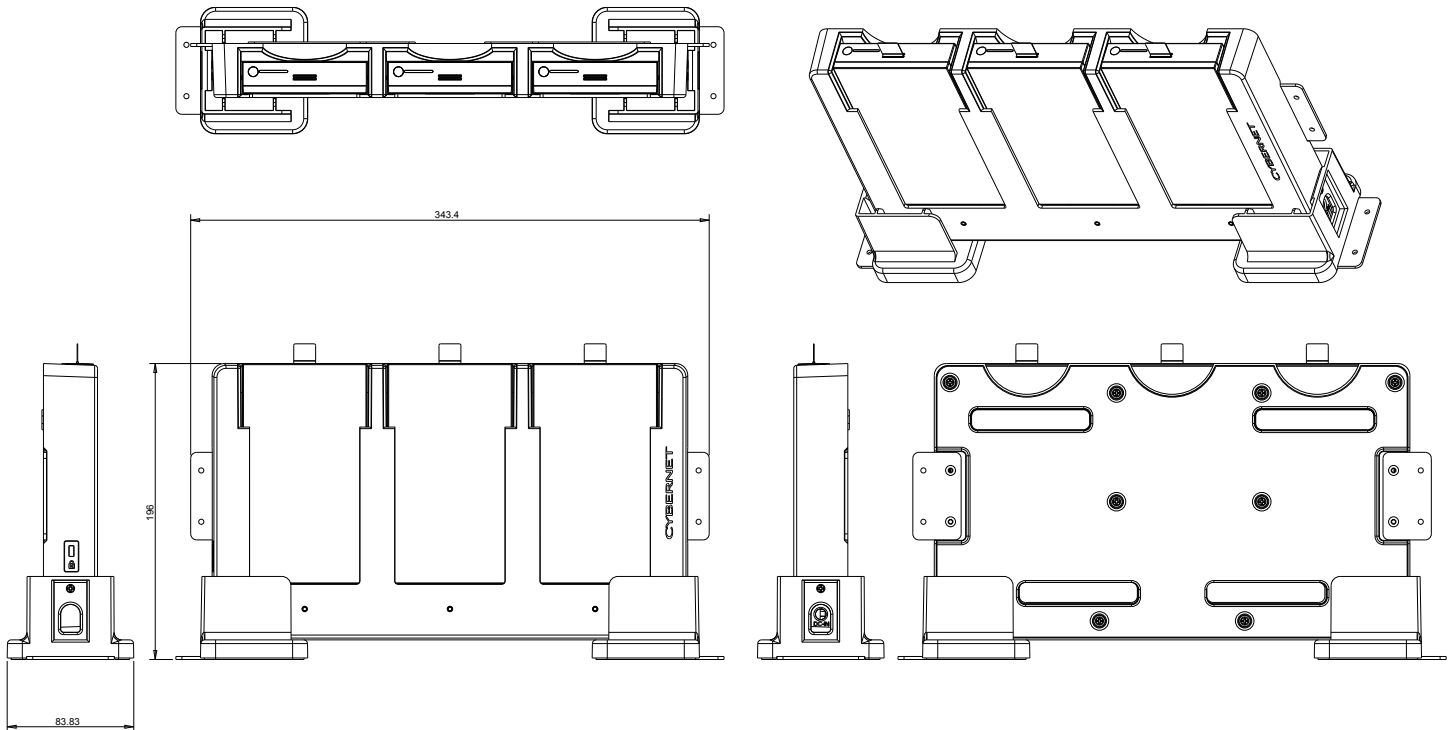


NB/XB Series Multi-charge Station

Charge 3 Batteries at Once



Technical Specifications

Capacity	3 Batteries
Docking Station Capacity	4.5 Hours from a complete drain
Charging Behavior	Simultaneous charging
Charging Status LED	Amber for charging, Green for fully charged
Mounting Options	Wall Mount, standalone "feet" are included
Theft Deterrent	Kensington Lock Support
Dimensions	343.41 mm x 195.83mm x 83.82mm (L x W x H)
Weight	2.5lbs
Certifications	FCC Class B, CE